

Cleats & Cable Fixings

Afumex Two Bolt Cleat

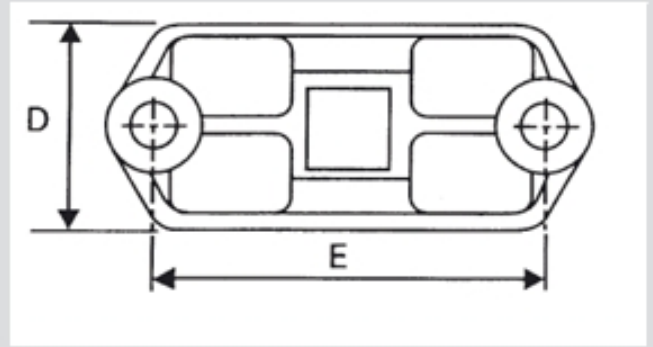
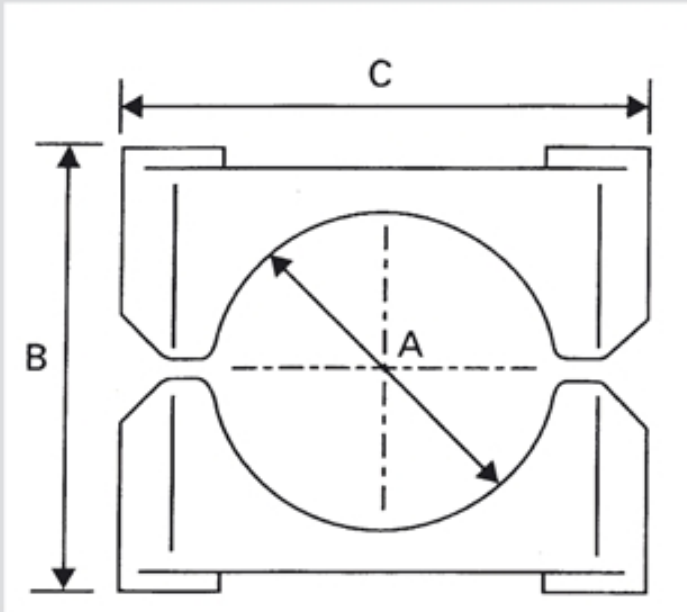


Description

- > Suitable for use with cables from 50 to 94mm in diameter
 - > Available in 7 sizes
 - > Low Smoke and Zero Halogen
 - > Suitable for use with Afumex, LSOH and LSF cables >
- LUL Approved
- > Sunlight (UV) and weather resistant >
- Two-piece, two fixing design
- > Operating temperature -20°C to +90°C
 - > Can be double stacked on common fixings



Afumex Two Bolt Cleat



Cable and Cleat Details

Design Number	Cable Diameter A (mm)		Dimensions (mm)				SWL FOS2 (kgf)	Approx. weight per cleat (2 halves) (g)
	Min	Max	B Max	C	D	E		
374LSF01	50	58	89	102	45	80	290	174
374LSF02	56	64	93	102	45	80	340	158
374LSF03	62	70	98	114	45	92	360	174
374LSF04	68	76	104	114	50	92	375	210
374LSF05	74	82	110	126	50	104	400	254
374LSF06	80	88	118	126	50	104	445	264
374LSF07	86	94	121	136	60	114	475	326

METHOD OF FIXING

In all applications the cleat should be mounted on suitable M10 fixings.

There is no need for any channel adaptor when mounting directly on to 'C' section channel.

SWL = Safe Working Load

FOS 2 = Values include a Factor Of Safety of 2.