

## 370 Series

Aluminium Two Bolt Cleats  
51-159mm Cable Diameter



**BICON™**

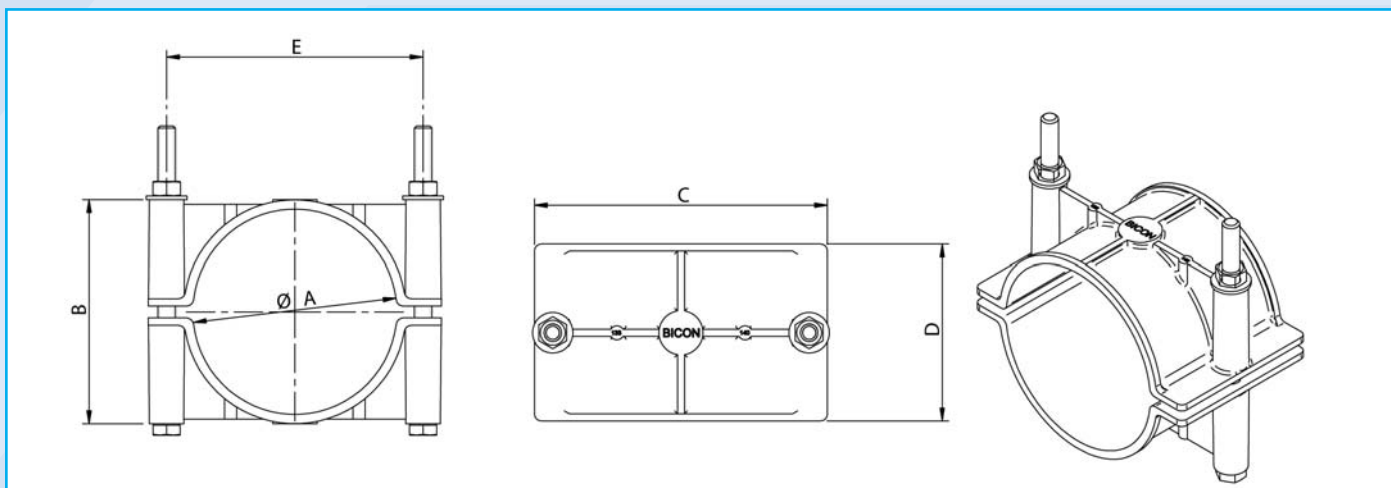
### Application

Suitable for LV & HV Cables - 51 to 159mm diameter.  
Can be used for all types of cable routes.  
Operating temperature -60°C to +100°C  
Plain finish - for normal industrial areas.  
Epoxy coated versions available for harsh environments.  
Larger EHV sizes have optional Zac rubber lines.

### Features

Manufactured from Aluminium alloy.  
Two-piece, two fixing design.  
Can be double stacked on common fixings.  
Tested in accordance with BS EN 50368.

## 370 Series Aluminium Two Bolt Cleats 51-159mm Diameter



### General Technical Data

Design Number		Cable Diameter A (mm)		B (max)	Dimensions (mm)			Stud Size	Approx Weight g
Standard	Epoxy Coated	Min	Max		C	D	E		
370BA10	370BB10	51	57	70	98	49	76	M10	230
370BA11	370BB11	57	64	76	98	49	76	M10	240
370BA12	370BB12	64	70	82	135	64	114	M10	384
370BA13	370BB13	70	76	88	135	64	114	M10	384
370BA14	370BB14	76	83	96	140	64	114	M12	420
370BA15	370BB15	83	89	101	140	64	114	M12	490
370BA16	370BB16	89	95	108	152	76	126	M12	442
370BA17	370BB17	95	101	114	152	76	126	M12	442
370BA18	370BB18	101	108	120	165	76	140	M12	650
370BA19	370BB19	108	114	126	165	76	140	M12	650
370BA30	370BB30	115	121	133	175	100	150	M12	734
370BA31	370BB31	121	127	-	-	-	-	M12	-
370BA32	370BB32	127	133	-	-	-	-	M12	-
370BA33	370BB33	133	140	152	200	120	175	M12	956
370BA34	370BB34	140	146	-	-	-	-	M12	-
370BA35	370BB35	146	152	164	210	120	185	M12	893
370BA36	370BB36	152	159	172	215	150	190	M12	1325
Design Numbers with the Suffix "L" are fitted with a 5mm rubber lining									
370BA30L		105	111	133	175	100	150	M12	984
370BA31L		111	117	-	-	-	-	M12	-
370BA32L		117	123	-	-	-	-	M12	-
370BA33L		123	130	152	200	120	175	M12	1302
370BA34L		130	136	-	-	-	-	M12	-
370BA35L		136	142	164	210	120	185	M12	1274
370BA36L		142	149	172	215	150	190	M12	1845

\* 370BA/BB & BA\*L cleats are supplied without fixing bolts which should be selected by using dimension 'B' together with the thickness of the cable support arrangement

### Performance Data

Test Standard	EN 50368:2003
Type	Metallic
Impact Resistance	Very Heavy (20J impact energy)
Lateral Load	18kN
Axial Load	11kN
Needle Flame	>120 secs

\* Technical information subject to change without notice

Prysmian Cables & Systems Limited, Components Unit, Oak Road, Wrexham Industrial Estate, Wrexham, LL13 9PH

Commercial Enquiries, Tel +44 (0) 845 767 8345, Fax +44 (0) 1978 662 410

components.sales@prysmian.com

[www.prysmian.co.uk](http://www.prysmian.co.uk)

Ref: 370Series/01/11

**PRYSMIAN**  
CABLES & SYSTEMS