

Cleats & Cable Fixings

Galvanised Iron Claw Cleat



Description

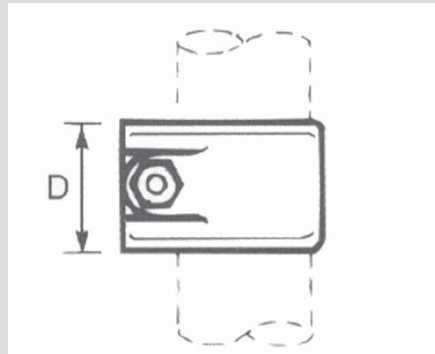
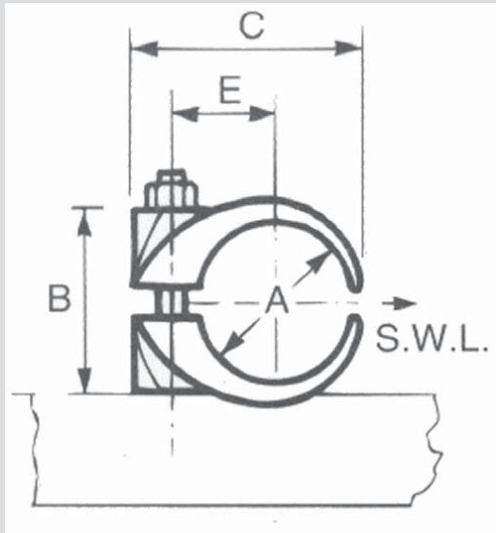
- > Suitable for cables from 10 to 54mm in diameter
- > Available in 9 sizes
- > Can be used for all types of cable routes
- > Hot dip galvanised finish on cast iron
- > Operating temperature -60°C to +100°C & can withstand 2hr excursion to 1000°C
- > Two-piece, single fixing design
- > Can be stacked to a maximum of three on one fixing

Packing pieces and lindaptor fittings to be used where required.

For information on these items, please see separate datasheets.



Galvanised Iron Claw Cleat



Cable and Cleat Details

Table & Cleat Selection			Dimensions (mm)				Cleat Details		Stud Size
Design Number	Cable Diameter A (mm)		B	C	D	E	Approx. Weight g	SWL (FOS 3) kg	
	Min	Max							
370CG01	10	13	22	38	46	16	227	150	M10
370CG02	13	16	22	38	46	16	208	148	M10
370CG03	16	19	25	41	46	18	232	121	M10
370CG04	18	22	28	45	46	19	279	112	M10
370CG05	21	26	32	48	46	21	299	95	M10
370CG06	25	32	37	54	46	24	319	85	M10
370CG07	31	38	43	60	46	27	395	83	M10
370CG08	36	46	53	67	46	30	492	60	M10
370CG09	44	54	59	73	46	33	502	62	M10

Method of Fixing

In all applications the cleats should be mounted on suitable fixings, see table for appropriate size.
 When mounting directly on "Unistrut" or "Leprack" type channel, adaptor plates 380AG02 should be used.
 When stacking claw cleats use packing piece 389AC01 between cleats.
 (Please see separate datasheets for selecting both of these items).

SWL = Safe Working Load
 FOS 3 = Values include a Factor of Safety of 3