

Resin Joints

MPJ Series Low Voltage Cable Jointing Kits

Application

- > For cables with copper conductors

Characteristics

- > Prysmian's cast resin straight joints are the ideal method for jointing polymeric industrial cables where crimped connectors are required.
- > The low voltage cable jointing kits are manufactured with two types of shell design. A clear injection moulded version for smaller cable sizes, and a high impact styrene design to cover the larger ranges.
- > A lightweight two-part easy flow polyurethane resin is provided as standard, suitably packed in a foil laminated sachet offering a completely enclosed resin mixing system.

Joint Features & Benefits

- > MPJ 1, 2, 3 and 4 use injection moulded shells
- > MPJ 5, 6, 7 and 8 use high impact styrene shells (HIPS)
- > Armour bonds included
- > Tested and approved to BS EN 50393 & ENA ER C81

Resin Features & Benefits

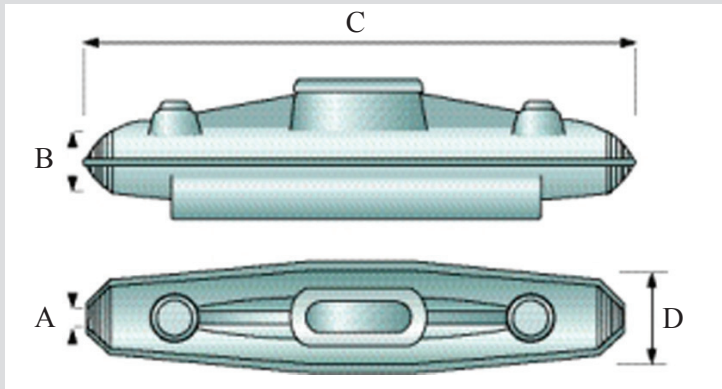
- > "Twin Pack" totally enclosed mixing
- > Enhanced adhesion to XLPE and PVC
- > Improved flow characteristics
- > 40% reduction in weight
- > Easier mixing



Low Voltage Cable Jointing Kits

Selection Information

> Selection information for low voltage straight on 600/1000V polymeric insulated copper conductors, SWA cables to BS6346, BS5467 & IEC502



SELECTING

"MPJ" Straight Joints XLPE or PVC/SWA Copper Conductors

Shell Dimensions

Joint Ref.	Min. box entry Ø 'A'	Max. box entry Ø 'B'	Box length 'C'	Internal Ø 'D'
MPJ1	12mm	26mm	185mm	35mm
MPJ2	14mm	32mm	245mm	48mm
MPJ3	23mm	39mm	325mm	52mm
MPJ4	28mm	50mm	375mm	68mm
MPJ5	32mm	58mm	520mm	102mm
MPJ6	45mm	75mm	705mm	124mm
MPJ7	40mm	89mm	862mm	140mm
MPJ8	57mm	95mm	900mm	150mm

Notes:

- > Connectors are sold separately
- > Armour bonds are included

*Joint does not accommodate crossed core (phase to phase) jointing.

LV Straight joints - Suitable for Copper Cables & Compression Connectors

Conductor Size	Two Core Ref.	Three Core Ref.	Four Core Ref.	Connector Ref.
1.5mm ²	MPJ1	MPJ1	MPJ1	BERS
2.5mm ²	MPJ1	MPJ1	MPJ1	BEBS
4mm ²	MPJ1	MPJ1	MPJ1	BEYS/BT6CS
6mm ²	MPJ1	MPJ2	MPJ2	BT6CS
10mm ²	MPJ2	MPJ2	MPJ2	BT10CS
16mm ²	MPJ2	MPJ3	MPJ3	BT16CS
25mm ²	MPJ3	MPJ3	MPJ3	BT25CS
35mm ²	MPJ3	MPJ4	MPJ4	BT35CS
50mm ²	MPJ4	MPJ4	MPJ4	BT50CS
70mm ²	MPJ4	MPJ4	MPJ5	BT70CS
95mm ²	MPJ4	MPJ5	MPJ5	BT95CS
120mm ²	MPJ5	MPJ6	MPJ6	BT120CS
150mm ²	MPJ5	MPJ6	MPJ6	BT150CS
185mm ²	MPJ5	MPJ6	MPJ6	BT185CS
240mm ²	MPJ6	MPJ7	MPJ7	BT240CS
300mm ²	MPJ6	MPJ7	MPJ7	BT300CS
400mm ²	MPJ8*	MPJ8*	MPJ8*	BT400CS

Compression Connector

